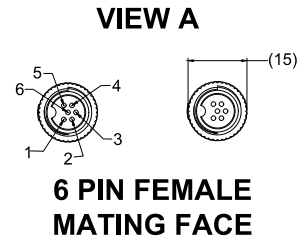
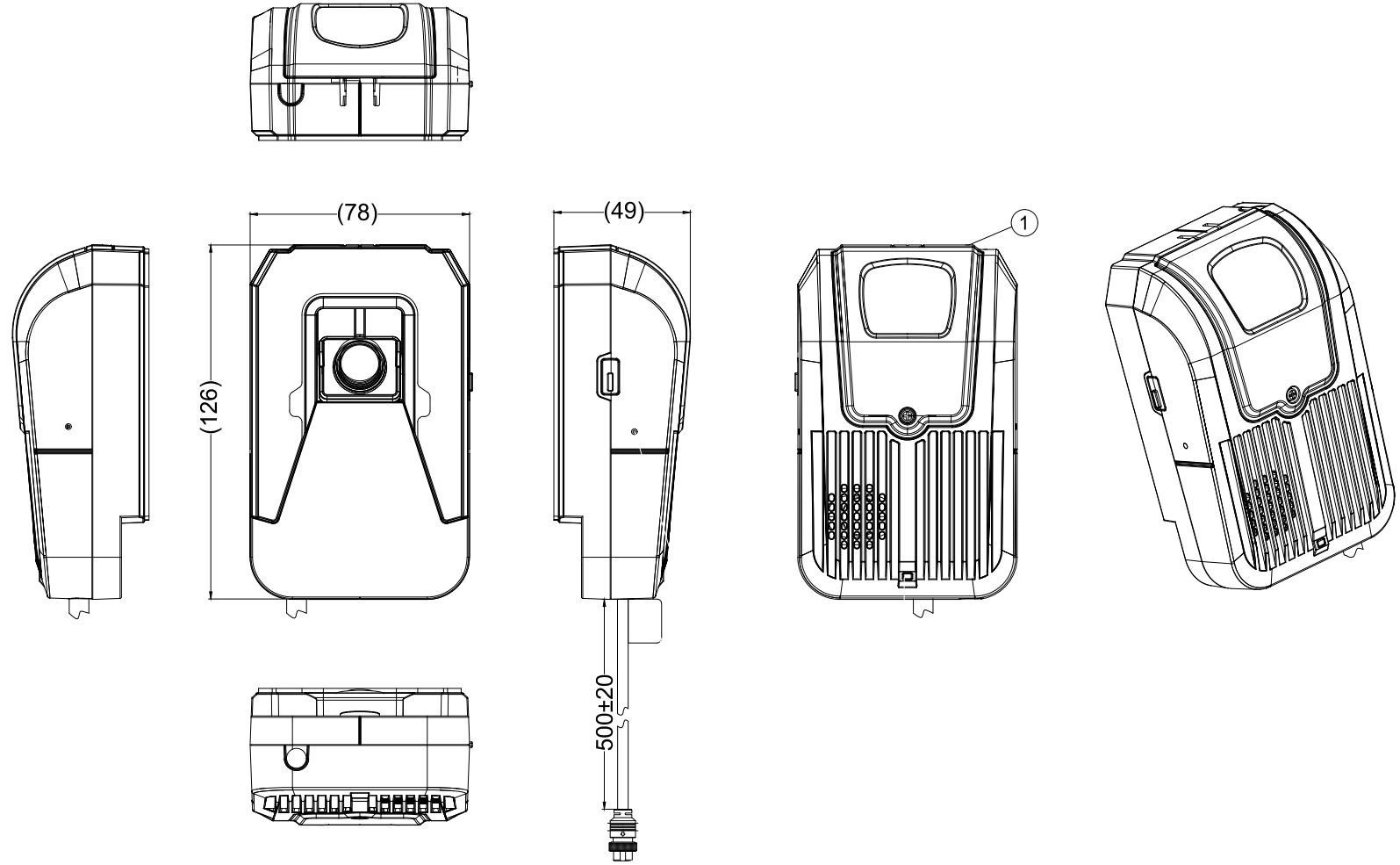


ITEM	PART NO.	QTY	MODEL NO.	DESCRIPTION	SYSTEM CONTENTS
1	8028	1	IP-FFC-AI-01-C	IP AI Camera Only - Forward Facing, Audio (1520P)	IP-FFC-AI-01 (8027)
2	8085	1	IP-FFC-AI-01-GRUB	IP-FFC-AI-01-CABLE-GRUB (NOT SHOWN)	
3	8095	1	IP-FFC-AI-01-QR LINK CARD	IP-FFC-AI-01-QR Link Card (NOT SHOWN)	

Revision Notes.				
FIRMWARE VERSION IN NOTE 4 UPDATED AS PER CR-A1134.				
APA: S. YANG	Drawn: P. BU	Checked: F. ADEMUJIMI	Approved: S. ZHANG	Date: 27/04/2025



PIN #	WIRE COLOUR	DESCRIPTION
1	ORANGE	TX-
2	WHITE	TX+
3	RED+BROWN	+12V
4	GREEN	RX-
5	YELLOW	RX+
6	BLACK+GREY	GND



NOTES:
 1. FOR PRODUCT LABELS AND PACKAGING DETAILS REFER TO MASTER BOM.
 2. REFER TO PRODUCT SPECIFICATION (PS) AND USER GUIDE FOR MORE PRODUCT DETAILS.
 3. ANY CUSTOMER MODIFICATION OF THIS PRODUCT CAUSING SUBSEQUENT FAILURE IS NOT A LIABILITY OF BRIGADE ELECTRONICS PLC.
 4. FIRMWARE VERSION FFC_E04.526_V3.5.2_RC25032462 TO BE PRE-LOADED TO THE MAIN BOARD. ⚠

PROPRIETARY NOTICE
 THIS DESIGN AND TECHNICAL INFORMATION APPEARING ON THIS DRAWING IS THE PROPERTY OF BRIGADE ELECTRONICS, AND IS DISCLOSED IN CONFIDENCE. IT IS NOT TO BE COPIED, REPRODUCED, REVEALED TO OR EXPROPRIATED BY OTHERS, EITHER IN WHOLE OR IN PART WITHOUT THE EXPRESS WRITTEN CONSENT OF BRIGADE ELECTRONICS.



Assembly Pl Approval KANE JIANG		Approved by S.DAVIS	Checked by SOFIA ZHANG	Drawn by R.TIMMS
Sheet No 1 of 1	Angle of Projection 	Units mm	Scale N/A	Released 27/08/2024
		Status RELEASED	Assembly Ref IP-FFC-AI-01	
		Part No 8027	BE-004933-01-24	